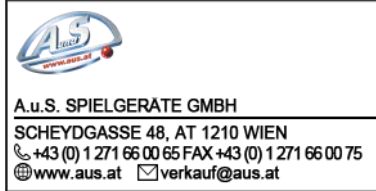


# E/F6 SERIES, E/F7 SERIES PANEL MOUNT SWITCHES



## E/F6 Series, E/F7 Series panel mount switches

E/F6 are single pole versions, E/F7 are double pole versions

- Push buttons in various models
- Snap-in panel mounting
- Long-life coil spring, snap-action mechanism
- Agency approved extended-life versions available
- VDE approval available on select models (F Series)
- Various terminal forms available (consult factory)



## Technical specifications

<b>Series</b>	Panel mount switch
<b>Electrical</b>	
<b>Ambient temperature</b>	-40° to +85°C
<b>Flammability rating</b>	UL94V-0

## Materials

<b>Housing</b>	Thermoplastic Polyester, Valox (single pole versions), Vandar (double pole versions)
----------------	--

**Actuator** Thermoplastic Acetal (E Series), Valox

**Terminals\*** Brass

**Moving blade** Beryllium Copper

**Spring** Stainless steel

## Contacts

**E65, E/F69, E/F77, E/F79** AgCdO

**E/F68, E/F78** Au (Crosspoint)

\* Common terminals are plated – the remaining terminals are not plated.

## Approvals

Approvals	Code
UL	E
VDE & UL	F

## Configuration

Configuration	Code
Singe pole version	6
Double pole version	7

## Actuator

Terminal type	Code
Basic momentary	00A
Push-pull momentary	20A
Momentary (cheat interlock)	30A
Short button momentary	40A
Momentary for auxiliary actuator	50A

## Terminals

Series	Terminals
E68, E69, E77, E78, E79	Q.C. terminal 4.8 x 0.5 mm
E65, E75, F68, F69, F77, F78, F79	Q.C. terminal 4.8 x 0.8 mm

Generation of order code (example)  
 The order code consists of 5 parameters:

Series	Approvals	Circuitry	Electrical rating	Actuator
	<b>F</b>	<b>6</b>	<b>9</b>	<b>00A</b>
Panel mount switch	= UL & VDE	= Single pole version	= 10(4) A, 250 VAC	= Basic momentary

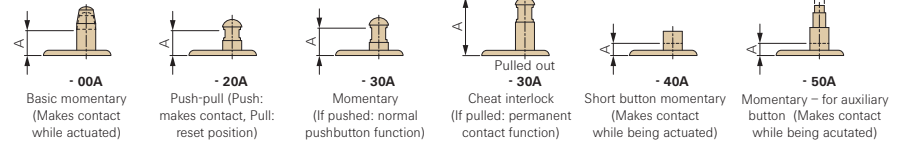
- Not every configurable variant is available for order. Please contact us.
- The final two digits of article numbers on commercial documents refer to the index of the respective drawing.
- Customer-specific models are marked with a G or W as the sixth digit of the article number.

## Electrical rating and operating life

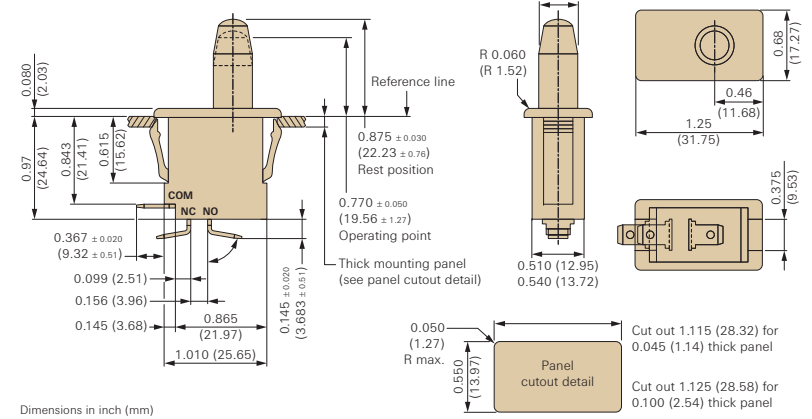
Electrical rating according to	Electrical life for 40T85 (operations)		Code	
	EN 61058-1	UL 1054		
-	16 A, 125/250 VAC; 1/3HP, 125/250 VAC	-	6,000	5
0.1(0.05) A, 125 VAC; 10(4) A, 250 VAC	0.1 A, 125 VAC; 10 A, 1/3HP, 125/250 VAC	50,000	6,000*	7
0.1(0.05) A, 125 VAC	0.1 A, 125 VAC	50,000	6,000*	8
10(4) A, 250 VAC	10 A, 125/250 VAC; 1/3HP, 125/250 VAC	50,000	6,000*	9

\* Other ratings available upon request

## Actuator (function)



## Singe pole version



## Double pole version

